



TRIMBLE DUAL SHOWER HEAD SHOWER SYSTEM WITH HAND SHOWER

SPECIFICATIONS

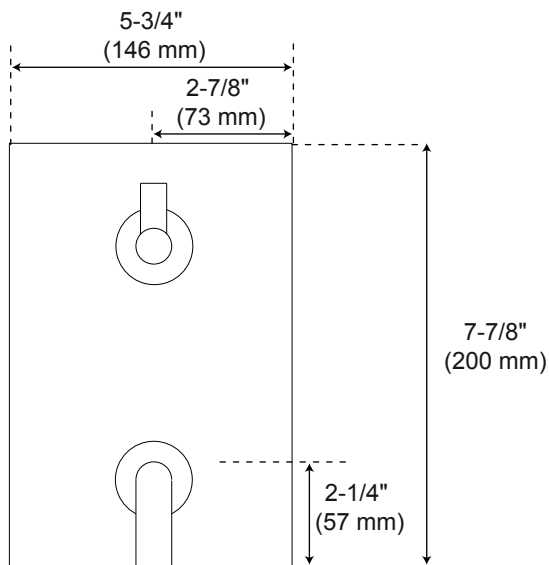
CONTENTS

Diverter.....	2
Wall Shower Head.....	3
Overhead Shower Head.....	4
Handshower.....	5

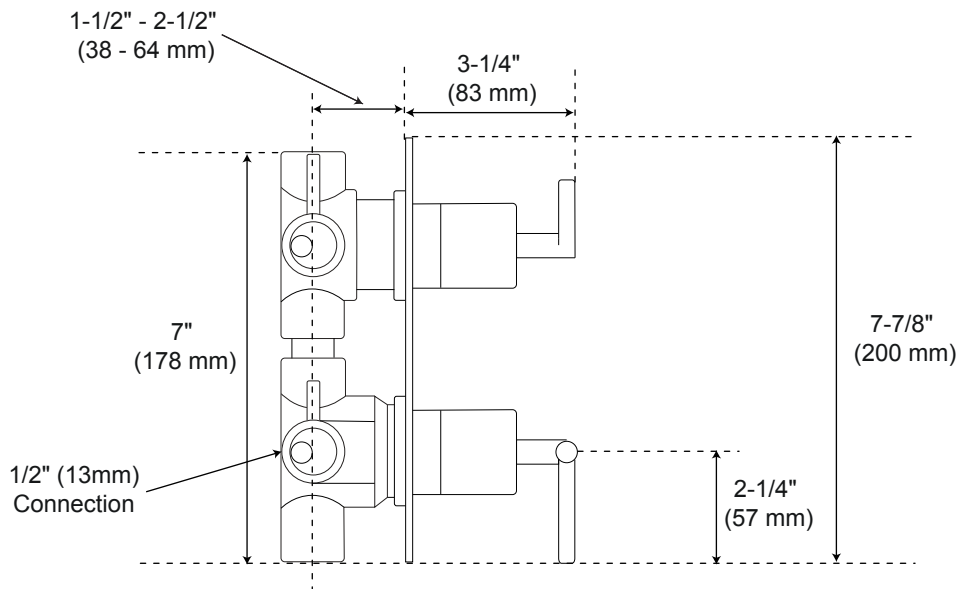


Diverter

Front



Side

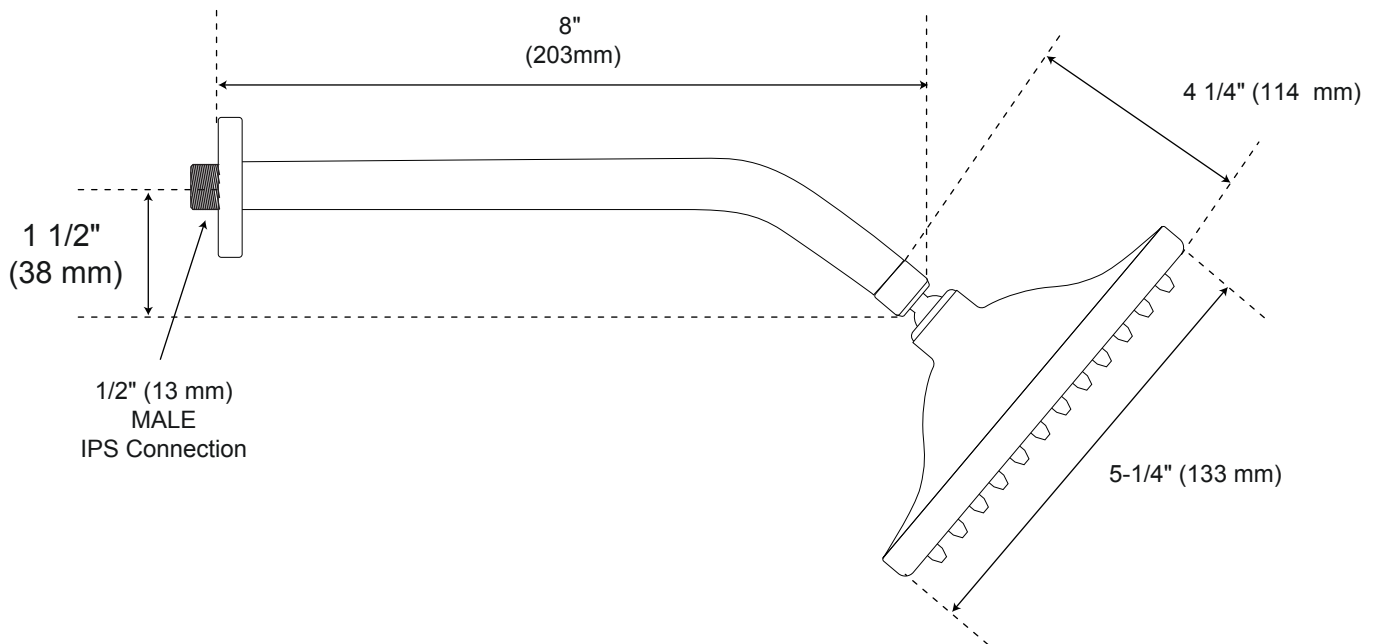


All product dimensions are nominal.



Wall Shower Head

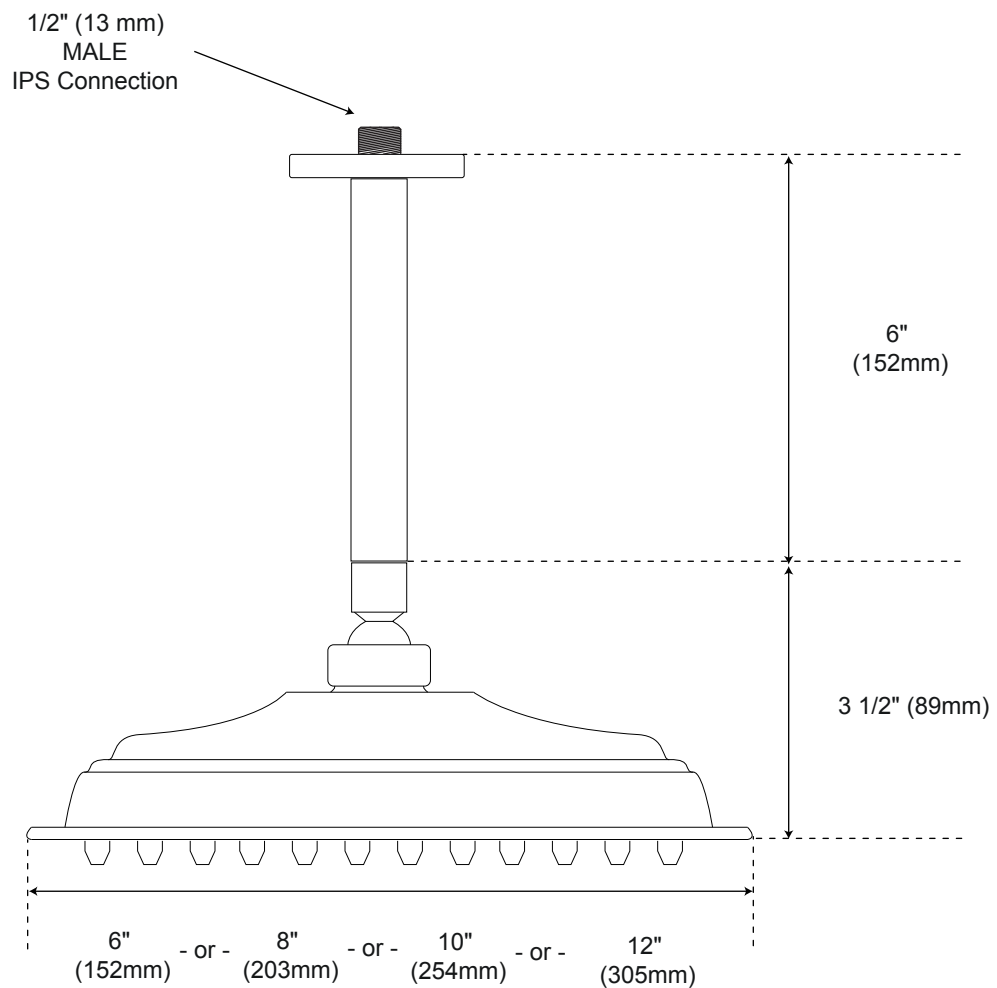
Side



All product dimensions are nominal.



Overhead Shower Head

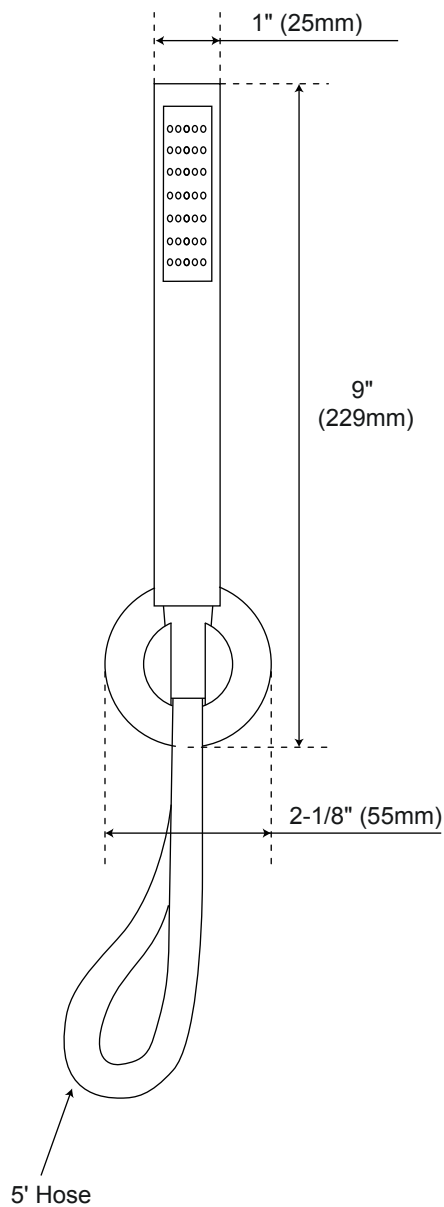


All product dimensions are nominal.

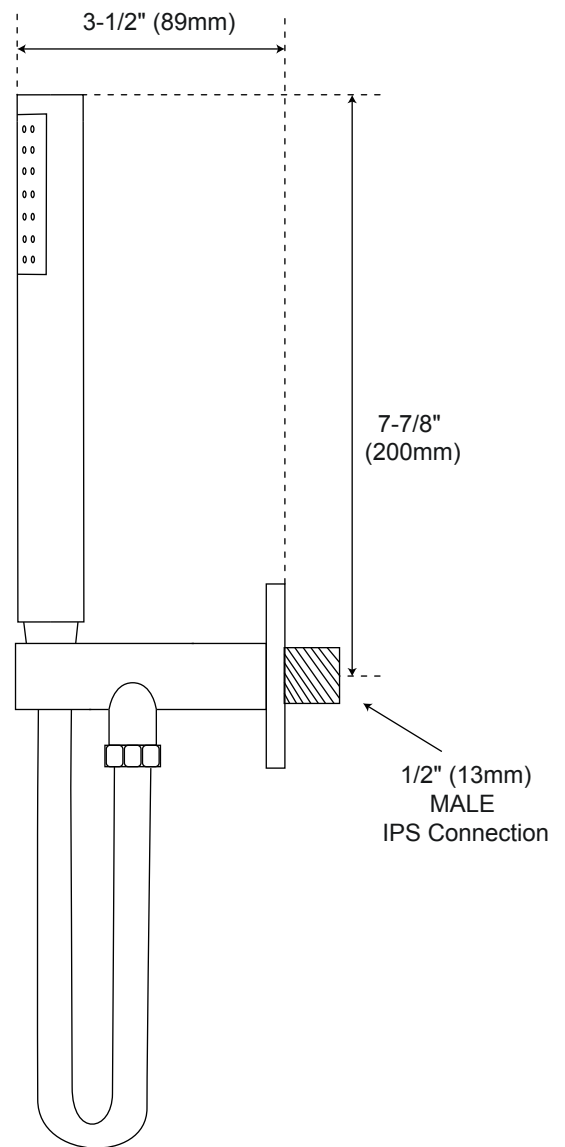


Handshower

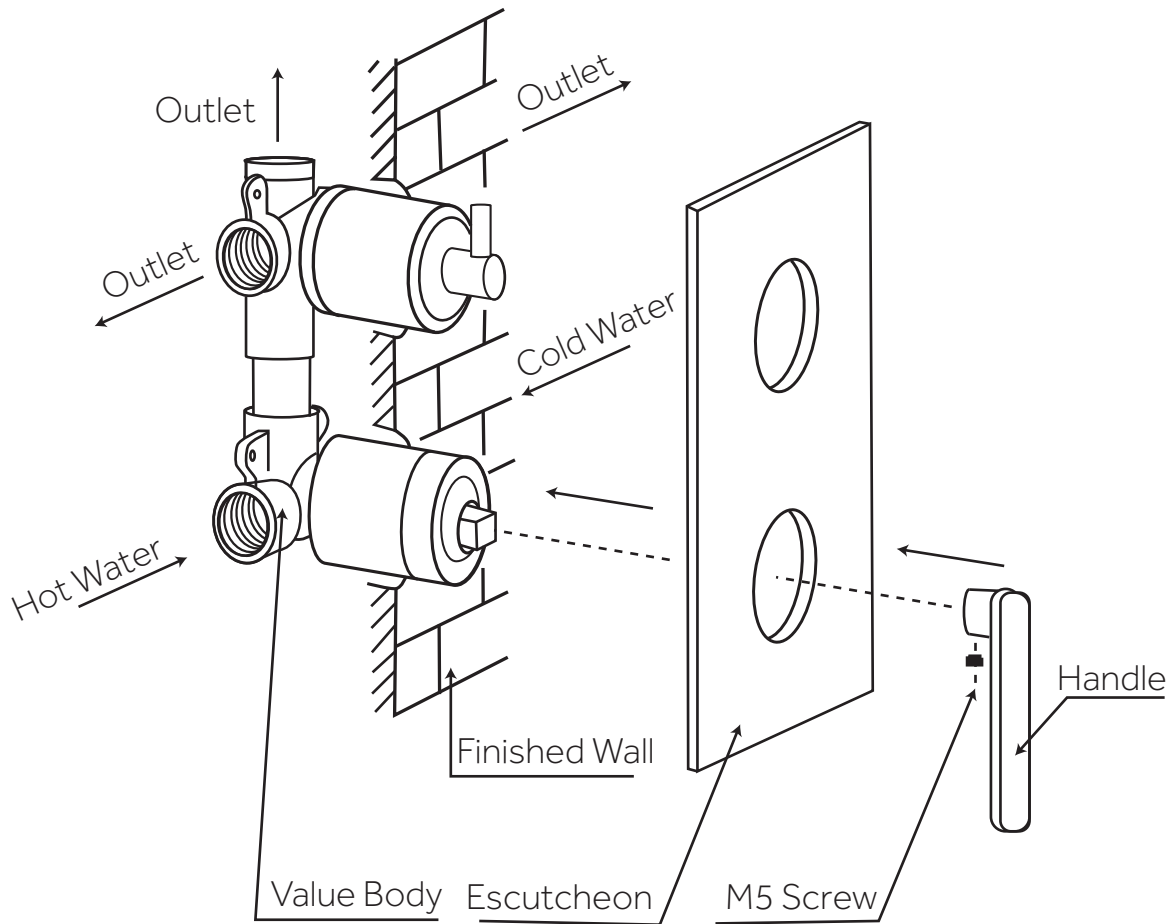
Front



Side



All product dimensions are nominal.



All product dimensions are nominal.



TRIMBLE SHOWER SYSTEM

BEFORE INSTALLING

Before you begin, read the installation instructions below. Observe all local building and safety codes. For the following installation instructions it is assumed that the water supply lines have been installed in the desired location behind the finished wall and are accessible for shower installation.

Unpack and inspect the product for any shipping damages. If you find damages, do not install. Contact Customer Service at 1.866.855.2284. If you need assistance or have questions while installing your shower contact Customer Service.

We recommend consulting a professional if you are unfamiliar with installing bathroom fixtures. Signature Hardware accepts no liability for any damage to the floor, walls, plumbing or for personal injury during installation.

INSTALLATION NOTICE

Flush pipes to remove dirt and debris prior to installation.

Wrap the threaded portions of the shower system with Teflon tape before installing.

After installation, check the joints to verify that all connections are firm. Turn the water supply off and on to ensure that no leakage occurs.

Regularly clean the surface of the faucet with a neutral wash solution and dry with a soft cloth.

INSTALLATION

1. Install the valve body in accordance with the diagram, and connect the inlet and outlet pipes. Wrap Teflon tape around the thread of the joints before attaching. The hot water supply is on the left, and the cold water supply is on the right. The distance from the center of the pipe to the wall should be approximately 1"-2".
2. Before installing the finished wall, test the water pressure to the valve. Plug the outlets on the valve body and turn the water supply on. Make sure no leakage occurs.
3. Install the finished wall material.
4. Remove the protective sheath from the valve and install the decorative escutcheon. Place the handle on the valve body and tighten the M5 screw to secure.

INSTALLATION DIAGRAM

